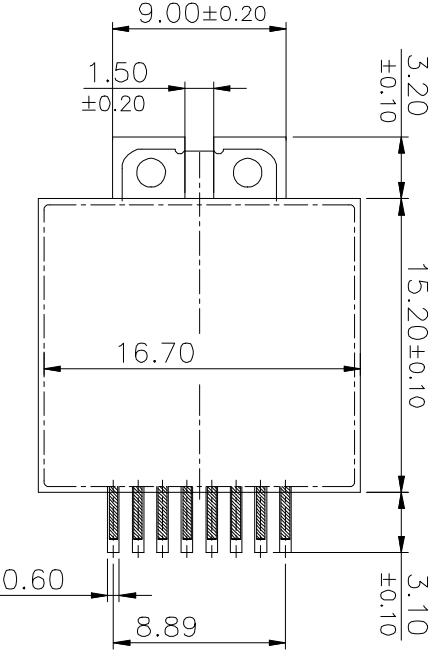
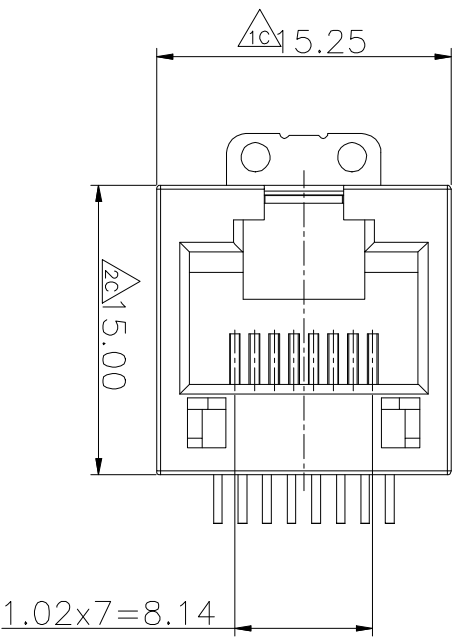


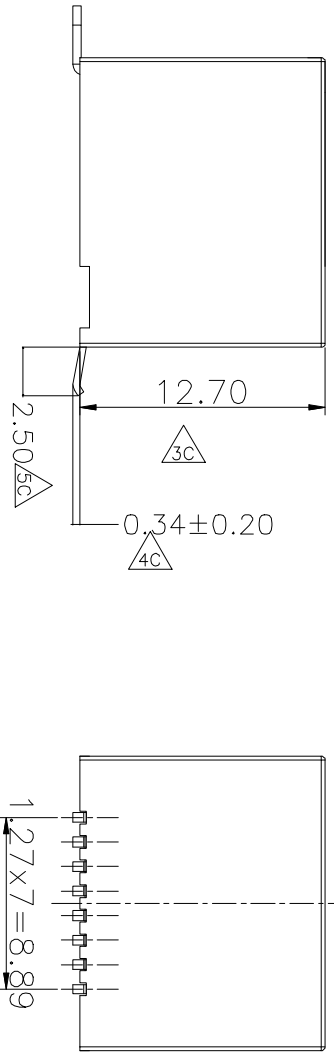
CATEGORY	DESCRIPTION	P/N #
CONNECTOR	Modular Jack, 8P8C, SMT	MJ88-XX11-JPS1

REV.	ECN NO	DESCRIPTION	REVISED	DATE
R01		新制圖面	KELLY	2010.04.13



- SPECIFICATION
- CURRENT RATING: 1.5AMPS
 - VOLTAGE RATING: 125V AC
 - INSULATION RESISTANCE: 500MΩ MIN.
 - WITHSTAND VOLTAGE: AC1000V RMS 50HZ or 60HZ MIN.
 - CONTACT RESISTANCE:30mΩ MAX.
 - DURABILITY: 750 MATING CYCLES
 - OPERATING TEMPERATURE: -25°C~+70°C

PCB LAYOUT/TOP VIEW



X	塑胶颜色区分
B	BLACK
G	Gray

X	Terminal Plating
0	Au 1u" Plating
1	Au 3u" Plating
2	Au 6u" Plating
3	Au 15u" Plating
4	Au 30u" Plating
5	Au 50u" Plating

c	ME	1	Brass, T=0.3mm	NI Plating	
b	Terminal	8	Phosphor Bronze, T=0.35mm	See Table 1	
a	Housing	1	PA9T UL94V-0	See color Scheme	
NO.	PART NAME	Q'TY	MATERIAL	PLATING & COLOR	Remark

UNLESS OTHERWISE SPECIFIED TOLERANCES	DECIMALS:	ANGLES:
	X : ±0.5	X : ±2°
	X.X : ±0.3	X.X : ±1°
	X.XX : ±0.2	

Product Drawing

DongGuan Heling Electronic Co.,LTD

SCALE: 1/1 UNIT: mm DWG. NO:

SIZE: A3 PAGE: 1 OF 1 REV: R01

APPROVED BY	CHECKED BY	PREPARED BY
TONY	BILL	KELLY

CUSTOMER COPY