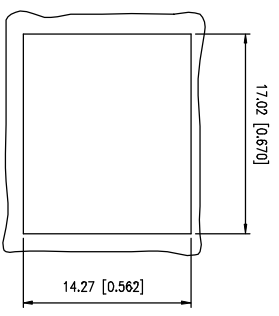
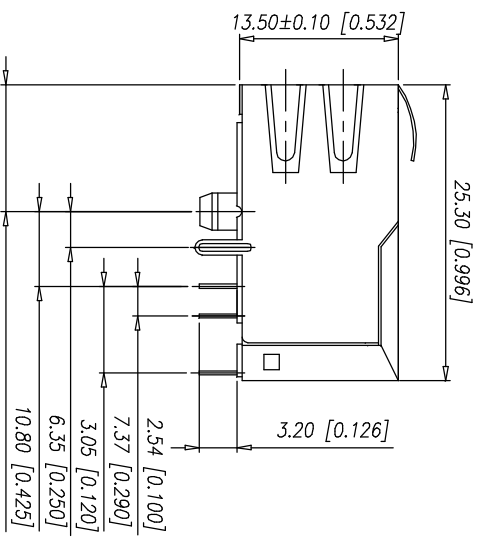
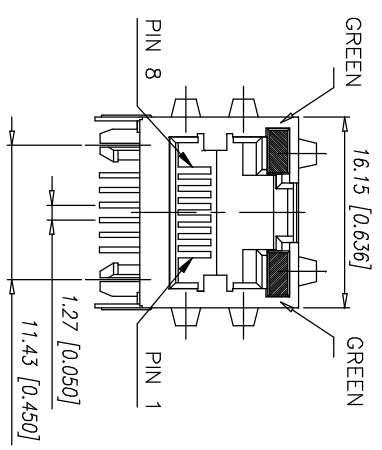


CATEGORY	DESCRIPTION	P/N #
CONNECTOR	RJ45+Transformer 1000Mbps with LED	MJ3B-B211-RSL051135-1

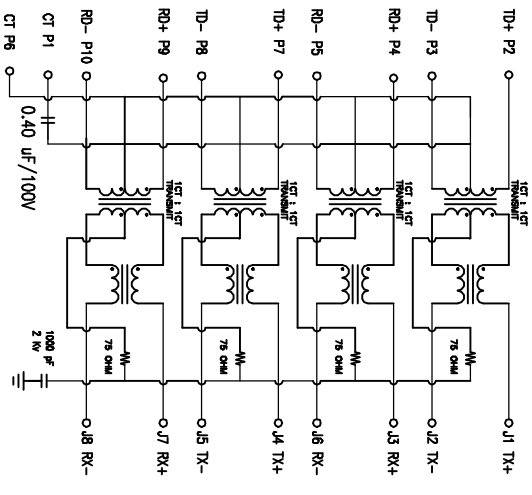
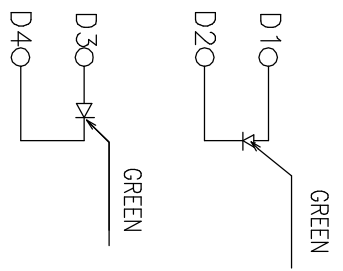
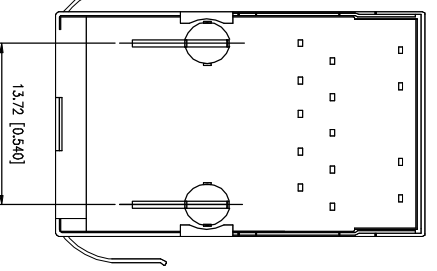
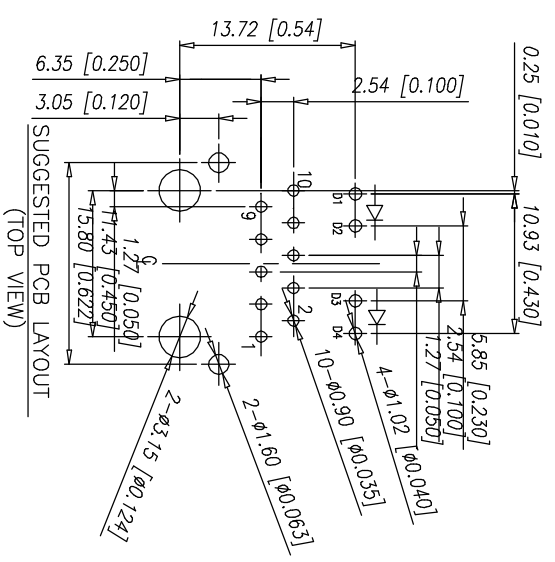


RECOMMENDED
PANEL CUTOUT DIMENSION

ELECTRICAL SPECIFICATIONS @ 25°C+/-5°C unless otherwise noted:

Insertion Loss: 1-100MHZ -1.0dB MAX
 Return Loss: 1-30MHZ -16.0dB MIN
 30-60MHZ -14.0dB MIN
 60-80MHZ -10.0dB MIN

Cross Talk: 1-30MHZ -40.0dB MIN
 30-60MHZ -35.0dB MIN
 60-80MHZ -30.0dB MIN



CMR:1-100MHZ -35.0dB MIN
 Hi-Pot: 1500V AC 6S 1mA
 OCL:350uH MIN @ 100KHZ 100mV 8mA DC
 Turn Ratio: 1CT:1CT+/-3% Housing Material: PBT Black
 Operating temperature range:0°C to +70°C
 Contacts: 0.35mm thick phos bronze plated with 6u' gold in contact area

REV.	ECN NO	DESCRIPTION	REVISED	DATE
R01		New Release	Kelly	2010.5.16

UNLESS OTHERWISE SPECIFIED TOLERANCES
 UNIT: mm
 .XX :±0.25
 .XXX :±0.13

東莞市合陵電子有限公司
 DongGuan Heling Electronic Co.,LTD

SCALE:1/1 UNIT: mm DWG.NO:
 SIZE: A3 PAGE:1 OF 1 REV:A HL-TR-001

APPROVED BY: Tony CHECKED BY: Bill PREPARED BY: Kelly

CUSTOMER COPY